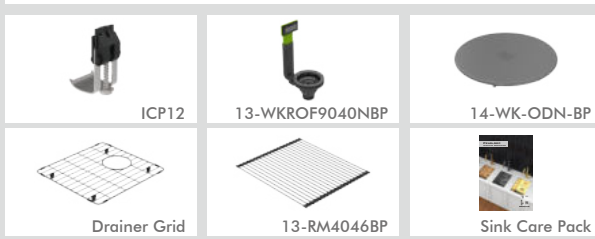




Model Code: 13-DEZ120BP

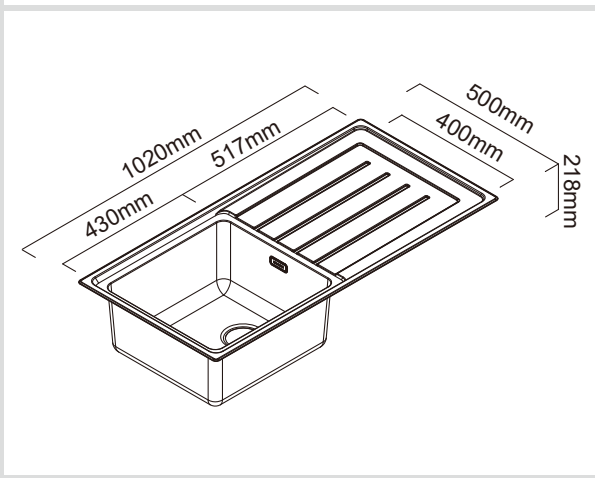
Included Accessories



Optional Accessories



Dimensions



Specifications

Description	Single bowl with one Drainer, Inset Sink
Overall Sink Size	1020mm x 500mm x 218mm deep
Bowl Dimensions	430mm x 400mm x 200mm deep
Drainer Length	517mm
Technique	Pressed
Material	Stainless steel SUS304

Installation

Fixings	Inset clips supplied
Template	N/A
Min Cabinet Size	470mm
Waste Holes	1 x 90mm round Compatible with waste disposal

Plumbing

Waste Fittings	1 x (90mm x 1 1/2") basket wastes included
Overflow	Included

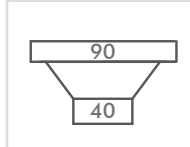
Packaging

Carton Type	EPS protection & individual carton
Gross Weight	8Kg
Carton Size	1095mm x 259mm x 555mm
Pack QTY	1

SURFACE FINISH



WASTE KIT



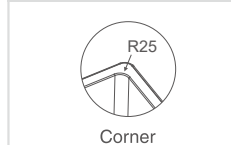
MATERIAL



INSTALLATION OPTIONS



PROFILE



Reward Hospitality is pleased to offer a limited 25-year warranty on all Zomodo sinks used in normal domestic installations. Reward Hospitality warrants its sinks to be free from all manufacturing defects in material and workmanship. Reward Hospitality warrants Zomodo waste kits, basket sieves and overflow assembly to be free from manufacturing defects for a period of one (1) year. Reward Hospitality warrants Zomodo taps' stainless steel casing to be free from manufacturing defects for a period of twenty-five (25) years, the supply hose and inner cartridge for a period of five (5) years, and the inner parts including the aerator and O-ring for a period of one (1) year from the date of purchase. Reward Hospitality will repair or replace (at Reward Hospitality's discretion), at no charge, excluding labour, any product supplied by Reward Hospitality that is proven to be defective under normal use.

Please visit www.zomodo.co.nz/warranty for full terms & conditions.